

PD150V



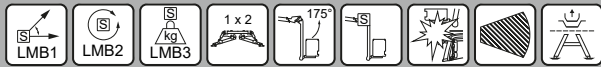
Medium Series

PD150V

Telescopic platform with movable cage boom
mounted on van or chassis



Standard equipment



Extra equipment/Options



The range of available options depends on the vehicle.



Technical specifications*

Max. working height:	14.8 m
Max. outreach:	9.8 m
Cage load capacity:	230 kg
Total weight:	5500 kg
Payload capacity:	1200 kg
Platform rotation:	460°
Safe working angle:	2°/5°
Isolation:	1000V

* Exact specifications vary based on the individual build and chosen options.

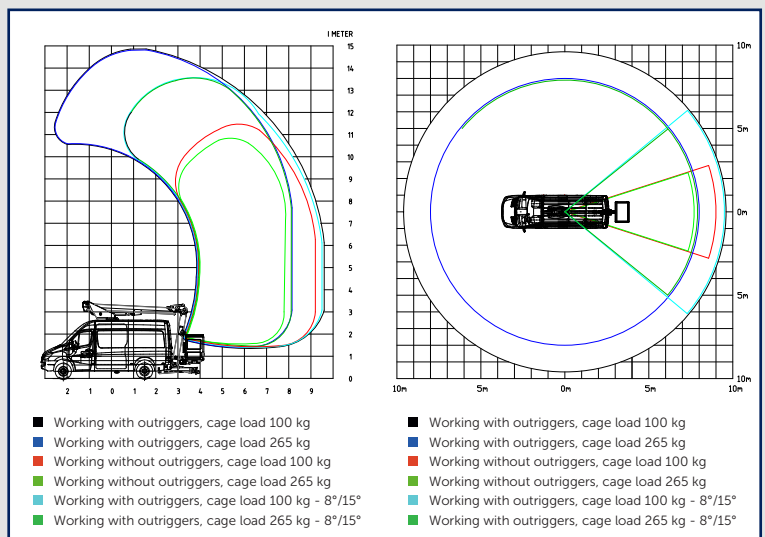
Description

The Medium Series is slightly more sturdy than the Light Series. The Medium Series platforms have sensors on all functions, making it possible to fully utilize the workspace. They come with a max. cage capacity of 265 kg, and have a 175° movable cage boom, and cage rotation of 2x80° is an option. The PD-series comes with a memory function for different settings as well and it has lots of possibilities when it comes to options.

Additional specifications:

Short wheelbase. 175° movable cage boom. OD-type outriggers. Electric/hydraulic control. Subframe and outriggers are galvanized. Home function. Operating without outriggers. Outriggers can be deployed even when the platform is not in transport position. Electronic cabin protection. Various flashlights. Ramp up/down functions on booms ensuring a long service life. Horizontal outreach is adjusted according to cage load - from 100 to 230/265 kg. We recommend a wheelbase of approx. 3500 to 3700 mm.

Diagrams



Images



The images in this literature may show options. Danilift A/S reserves the right to change technical information without notice.